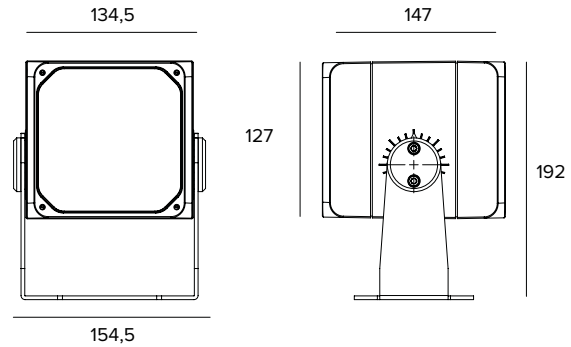


1E3864 | DART Medium RGBW

Professional adjustable projector with RGBW LED source



The fixture's photometric values can be found on the following pages



The figures on the drawing are expressed in mm.

SOURCE

High efficiency RGBW LED multichip.

Energy efficiency class: G

Nominal power: 31W

Nominal flux: See photometries

CCT nominal: See photometries

Lifetime (L80/B10): >50000h tq +25°C

ILLUMINOTECHNICAL CHARACTERISTICS

Optic made of metallised polycarbonate reflector with SP light beam opening and holographic diffusion filter in PMMA.

Optic: REFLECTOR

Beam angles: SP

Optical efficiency: 77%

Fixture flux: See photometries

Luminous efficacy: See photometries

Photobiological safety: Compliant with RG1 low risk group

MECHANICAL CHARACTERISTICS

Painted die-cast anodised aluminium body and painted stainless steel mounting bracket. Rotation of $\pm 45^\circ$ on the horizontal plane and of 0-120° or 0-20° on the vertical plane.

Colour and finish: Ferrite

Weight: 3.3Kg

Degree of protection: IP66

Mechanical Resistance: IK10

ELECTRICAL CHARACTERISTICS

Remote power supply. Controlled using DMX-RDM protocols that make it possible to programme the fixture remotely (no dip-switch) using the DMX data line. Programming the fixtures is done using the USB-RDM programmer that is available as an accessory.

Fixture Power: See photometries

Power supply: 850mA

Insulation Class: CLASS 3

Driver included: NO

Class F: YES

Ambient temperature: -25°C / +35°C

INSTALLATION

Mounting bracket with aiming adjustability.

NOTES

Photometrics show the maximum emission values of fixtures. Values related to the power consumption of the fixture do not take into account the consumption of the accessory driver, which depends on the choice of driver. Uses the "Waterblock Smart" technical solution that involves resin coating the connection cables, limiting the risk of humidity reaching the driver or the fixture. It is possible to subject the product to Cataphoresis treatment on request. 110-277Vac version available on request.

WARRANTY

5 years.

WARNING

Luminaire designed for disposal/recycling at end-of-life. Replaceable (LED only) light source by a professional. Replaceable control gear by a professional.

Due to the technological evolution of the electronic components, the data provided may be updated, and as such, confirmation must be requested during the order process.

Luminous flux and power supply have +/-10% tolerances with respect to the indicated value. tq +25°C (CIE 121).

We reserve the right to make technical changes.

Targetti Sankey S.r.l.
Via Pratese, 164
50145 Firenze - Italy
Tel: +39 055 37911
targetti.com
targetti@targetti.com

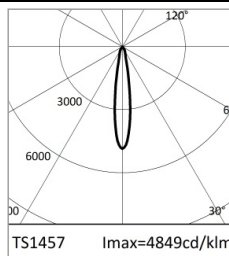
CCIAA Firenze
Share Capital:
€ 500.000,00
VAT N. (IT):
01537660480
R.E.A.: FI-275656

TARGETTI

1E3864 | DART Medium RGBW
Professional adjustable projector with RGBW LED source



		H(m)	D(m)	Emax(lx)		
	-			17°		
	-			17°		
Fixture Power	31W	1	0.30	6612		
Source Flux	1364lm	2	0.59	1653		
Fixture Flux	1044lm	3	0.89	735		
Efficacy	33lm/W	4	1.18	413		
TS1457	I _{max} =4849cd/klm	I _{max}	6612cd	5	1.48	264



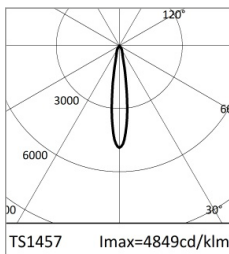
		H(m)	D(m)	Emax(lx)		
	-			17°		
	-			17°		
Fixture Power	23W	1	0.30	3916		
Source Flux	808lm	2	0.59	979		
Fixture Flux	618lm	3	0.89	435		
Efficacy	27lm/W	4	1.18	245		
TS1457	I _{max} =4849cd/klm	I _{max}	3916cd	5	1.48	157

RGBW

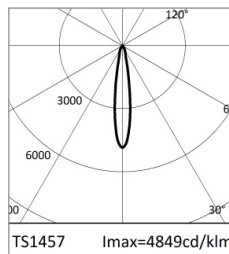
Fixture Power	31W
Nominal flux	1364lm
Fixture flux	1044lm
Luminous efficacy	33lm/W

RGB

Fixture Power	23W
Nominal flux	808lm
Fixture flux	618lm
Luminous efficacy	27lm/W



	6500K	H(m)	D(m)	Emax(lx)		
	-			17°		
	-			17°		
Fixture Power	9W	1	0.30	3217		
Source Flux	663lm	2	0.59	804		
Fixture Flux	508lm	3	0.89	357		
Efficacy	57lm/W	4	1.18	201		
TS1457	I _{max} =4849cd/klm	I _{max}	3217cd	5	1.48	129



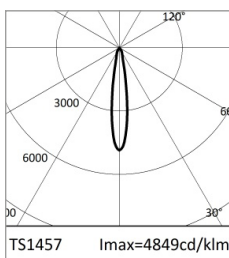
		H(m)	D(m)	Emax(lx)		
	-			17°		
	-			17°		
Fixture Power	6W	1	0.30	1778		
Source Flux	367lm	2	0.59	445		
Fixture Flux	281lm	3	0.89	198		
Efficacy	44lm/W	4	1.18	111		
TS1457	I _{max} =4849cd/klm	I _{max}	1778cd	5	1.48	71

WHITE

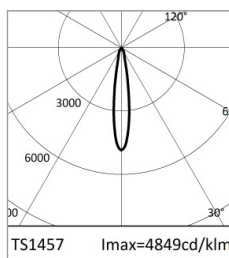
CCT nominal	6500K
Fixture Power	9W
Nominal flux	663lm
Fixture flux	508lm
Luminous efficacy	57lm/W

RED

Fixture Power	6W
Nominal flux	367lm
Fixture flux	281lm
Luminous efficacy	44lm/W



		H(m)	D(m)	Emax(lx)		
	-			17°		
	-			17°		
Fixture Power	9W	1	0.30	2044		
Source Flux	422lm	2	0.59	511		
Fixture Flux	323lm	3	0.89	227		
Efficacy	37lm/W	4	1.18	128		
TS1457	I _{max} =4849cd/klm	I _{max}	2044cd	5	1.48	82



		H(m)	D(m)	Emax(lx)		
	-			17°		
	-			17°		
Fixture Power	8W	1	0.30	552		
Source Flux	114lm	2	0.59	138		
Fixture Flux	87lm	3	0.89	61		
Efficacy	11lm/W	4	1.18	34		
TS1457	I _{max} =4849cd/klm	I _{max}	552cd	5	1.48	22

GREEN

Fixture Power	9W
Nominal flux	422lm
Fixture flux	323lm
Luminous efficacy	37lm/W

BLUE

Fixture Power	8W
Nominal flux	114lm
Fixture flux	87lm
Luminous efficacy	11lm/W

Due to the technological evolution of the electronic components, the data provided may be updated, and as such, confirmation must be requested during the order process. Luminous flux and power supply have +/-10% tolerances with respect to the indicated value. tq +25°C (CIE 121).

We reserve the right to make technical changes.

Targetti Sankey S.r.l.
Via Pratese, 164
50145 Firenze - Italy
Tel: +39 055 37911
targetti.com
targetti@targetti.com

CCIAA Firenze
Share Capital:
€ 500.000,00
VAT N. (IT):
01537660480
R.E.A: FI-275656



1E3864 | DART Medium RGBW

Professional adjustable projector with RGBW LED source

Related codes

Power Supply

Code
1E3883

DMX 4 channel driver - 850mA.
50W, LxHxP=220x80x120mm, 120-277Vac.
IP68 gray powder coated aluminum box.

Accessories

Filter



Code
1E3023

Blade of light filter.
PMMA holographic filter for a blade of light effect.
To be completed with a dedicated holder ring.
Diameter 101mm.

Grid



Colour	Code
	1E3025

Anti-glare louver.
The central elements may be removed to obtain two different levels of glare control.
Powder coated stainless steel.

Screen



Colour	Code
	1E3024

Asymmetric screen.
Powder coated stainless steel.

Mounting System



Colour	Code
	1E3026

Plate for fixture rotation.
Powder coated stainless steel.



Dimensions ØxH mm	Colour	Code
96x182		1E3028

Earthspike.
Powder coated stainless steel.

*Due to the technological evolution of the electronic components, the data provided may be updated, and as such, confirmation must be requested during the order process.
Luminous flux and power supply have +/-10% tolerances with respect to the indicated value. tq +25°C (CIE 121).*

We reserve the right to make technical changes.

Targetti Sankey S.r.l.
Via Pratese, 164
50145 Firenze - Italy
Tel: +39 055 37911
targetti.com
targetti@targetti.com

CCIAA Firenze
Share Capital:
€ 500.000,00
VAT N. (IT):
01537660480
R.E.A: FI-275656



1E3864 | DART Medium RGBW

Professional adjustable projector with RGBW LED source

Mounting System



Colour Code

● 1E2825

Pole bracket.
Anodised and powder coated aluminium.
Pole Ø 60mm (+/-2mm).



Colour Code

● 1E3027

Pole multiple mounting system.
Powder coated stainless steel.
To be completed with 1E2825.
Max 4 projectors.

Holder Ring



Colour Code

● 1E3022

Holder ring.
Powder coated stainless steel.
Ax B 120x120mm.

Tool



Colour Code

● 1E3029

Laser pointing system.
Installed by friction on the projector's body.
Powder coated stainless steel.
Laser included.

Control systems



Code

1E2767

USB-RDM Programmer code.
DMX-RDM (Remote Device Management) address planner.
Used with the "RDM Targetti" software that can be downloaded for free from the Targetti website download section.
To be used with all RGBW products.
The USB-RDM programmer manages to direct DMX-RDM fixtures if there are no BUFFER or Splitter DMXs on the section.
Please refer to the instructions for more details.



Code

A077

my-SCENARIO Show Store.
Programmable DMX interface that integrates the latest innovations in lighting control in architectural and entertainment applications.
It features USB Type-C and Ethernet ports for programming and remote control.
The unit can be fully programmed with ESA Pro 2 software (available for Windows and Mac users) or via mobile applications such as Arcolis (available for iOS or Android devices).
It can be fully customised: pixel mapping, triggering management, patch configuration and much more.
The system offers great possibilities for the control of your lighting installation: multi zone control (allowing the management of up to 5 independent zones), extended triggers (time/date, Sunrise/Sunset, input ports, TCP/UDP commands), 16-bit channels management, full recovery after power loss, up to 99 total scenes, and 1024+ DMX channels.
The intuitive backlit keyboard comes with 10 preset buttons for a user friendly experience.

Due to the technological evolution of the electronic components, the data provided may be updated, and as such, confirmation must be requested during the order process.
Luminous flux and power supply have +/-10% tolerances with respect to the indicated value. tq +25°C (CIE 121).

We reserve the right to make technical changes.

Targetti Sankey S.r.l.
Via Pratese, 164
50145 Firenze - Italy
Tel: +39 055 37911
targetti.com
targetti@targetti.com

CCIAA Firenze
Share Capital:
€ 500.000,00
VAT N. (IT):
01537660480
R.E.A: FI-275656

TARGETTI

1E3864 | DART Medium RGBW

Professional adjustable projector with RGBW LED source

Control systems



Code

1T6499

myScenario Wall.

DMX controller with a glass touch sensitive screen for architectural applications.

It can control two different DMX universes (2x 512 channels).

Stand alone function or connected to a computer using a USB port.

Software for creating scenarios (that can be downloaded from the Targetti website) included.

It can manage 10 different lighting zones and 50 scenarios per zone.

The touch keys on the front make it possible to modify and recall programmed scenarios.

USB cable included.

To be used with all RGBW products.

Due to the technological evolution of the electronic components, the data provided may be updated, and as such, confirmation must be requested during the order process.

Luminous flux and power supply have +/-10% tolerances with respect to the indicated value. tq +25°C (CIE 121).

We reserve the right to make technical changes.

Targetti Sankey S.r.l.
Via Pratese, 164
50145 Firenze - Italy
Tel: +39 055 37911
targetti.com
targetti@targetti.com

CCIAA Firenze
Share Capital:
€ 500.000,00
VAT N. (IT):
01537660480
R.E.A: FI-275656

TARGETTI